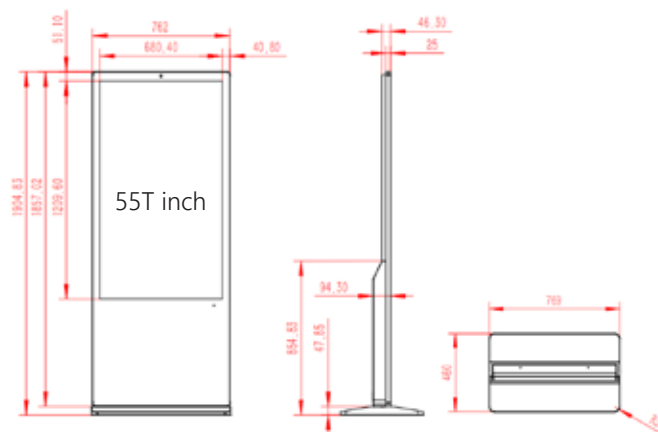


Tótem publicitario LCD

PARA INTERIOR



CARACTERÍSTICAS

- ▶ Paneles LCD de uso profesional de LG o BOE para una imagen perfecta gracias a su pantalla antibrillo. El panel industrial garantiza un funcionamiento continuo las 24 horas los 7 días de la semana.
- ▶ Instalación rápida: Solo necesita conectarlo para reproducir el contenido.
- ▶ Fácil de personalizar: Pantalla LCD de interior con alto brillo. Desde 500CD hasta 1.500 CD, pantalla táctil, cámara incorporada, cargador USB para móvil y sistema operativo Windows o Android.
- ▶ Altavoz incorporado: Un solución audiovisual potente gracias a sus altavoces que llamarán la atención con su alta calidad de sonido.



| Item NO. | | EC-IT-43 | EC-IT-49 | EC-IT-55 | EC-IT-65 |
|-------------------------|--------------------------------------|---|--|-------------------------------------|---------------------------------|
| LCD Panel | Brand | LG / BOE | LG | LG / BOE | LG |
| | Size | 43 inch | 49 inch | 55 inch | 65 inch |
| | Resolution | FULL HD1920x1080 | | | |
| | Brightness | 350 cd/m ² | 350 cd/m ² | 350 cd/m ² | 350 cd/m ² |
| | Display Area | 529.42×941.18 mm | 604×1073.78mm | 680.4×1209.6 mm | 1430(W)×805(H) mm |
| | Display | Vertical/Horizontal Available | | | |
| | Contrast Ratio | 1200:1 (Typ.) | 1300:1 (Typ.) | 1300:1 (Typ.) | 1300 : 1 (Typ.) |
| | Viewing Angle | 178 (Typ.) | | | |
| | Colour | 16.7M , 68% | 16.7M/1.07B , 72% | 16.7M/1.07B , 68% | 1.07B , 68% |
| Electrical | Power Consumption(Watt) | ≤120W | 120W | 150W | 220W |
| | Life Time | 60000 hour | 60000 hour | 60000 hour | 60000 hour |
| | Standby (Watt) | <1W | | | |
| | Input Voltage | AC100-240V 50/ 60Hz | | | |
| Structure | Dimension with wall-mounting support | 610x1804.82x 75.5mm Base 459.49mm | 674.2x1855.02x 74.3mm Base 459.49mm | 762x1904.83x94.3mm Base 459.49mm | 881x2104.8x94.3mm Base 600mm |
| | Shell Material | Aluminium Frame, SPCC back case | | | |
| | VESA | 400x400mm | 400x400mm | 400x400mm | 508x400mm |
| Media Player | Audio | MP3, WMA, APE, Flac | | | |
| | Video | RM/RMVB, MKV, TS, AVI, VOB, MOV, WMV, MP4 | | | |
| | Image | JPG, BMP, GIF | | | |
| Others | Speaker | 2*8Ω5W | | | |
| | Interface | HDMI*1, USB*2, LAN*1, TF*1, WIFI, DC*1 | | | |
| | Camera | Optional | | | |
| Application Environment | Working Temperature | 0 ~ 50 °C | | | |
| | Storage Humidity | -10 ~ 60 °C | | | |
| Touch Function | | Optional (infrared, capacitive, nano) | | | |
| Main Board | Operative System | Android o Windows or HDMI only | | | |